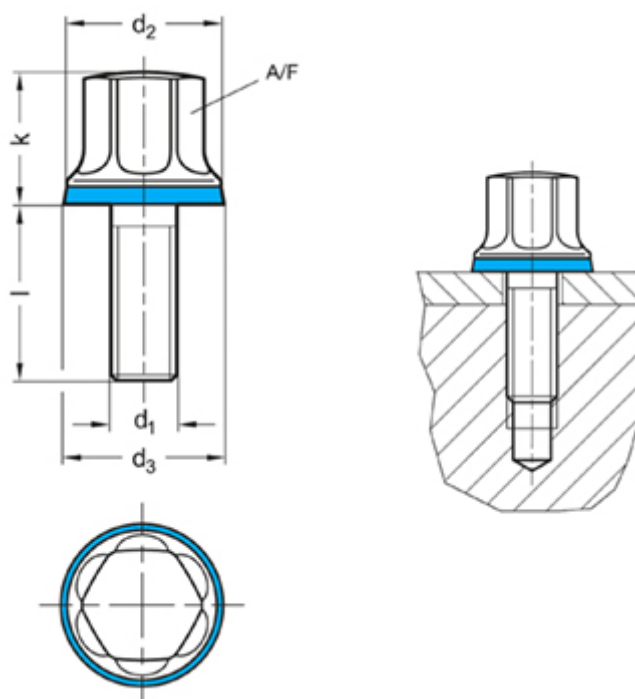


Article number: 201580M1025MT

Description: E+G Screw GN 1580-M10-25-MT-H  
Hygienic design

## Measures



d1	= M 10
d2	= 21
d3	= 21.8
k	= 18
L	= 25
t min	= -
Weight in (g)	= 43